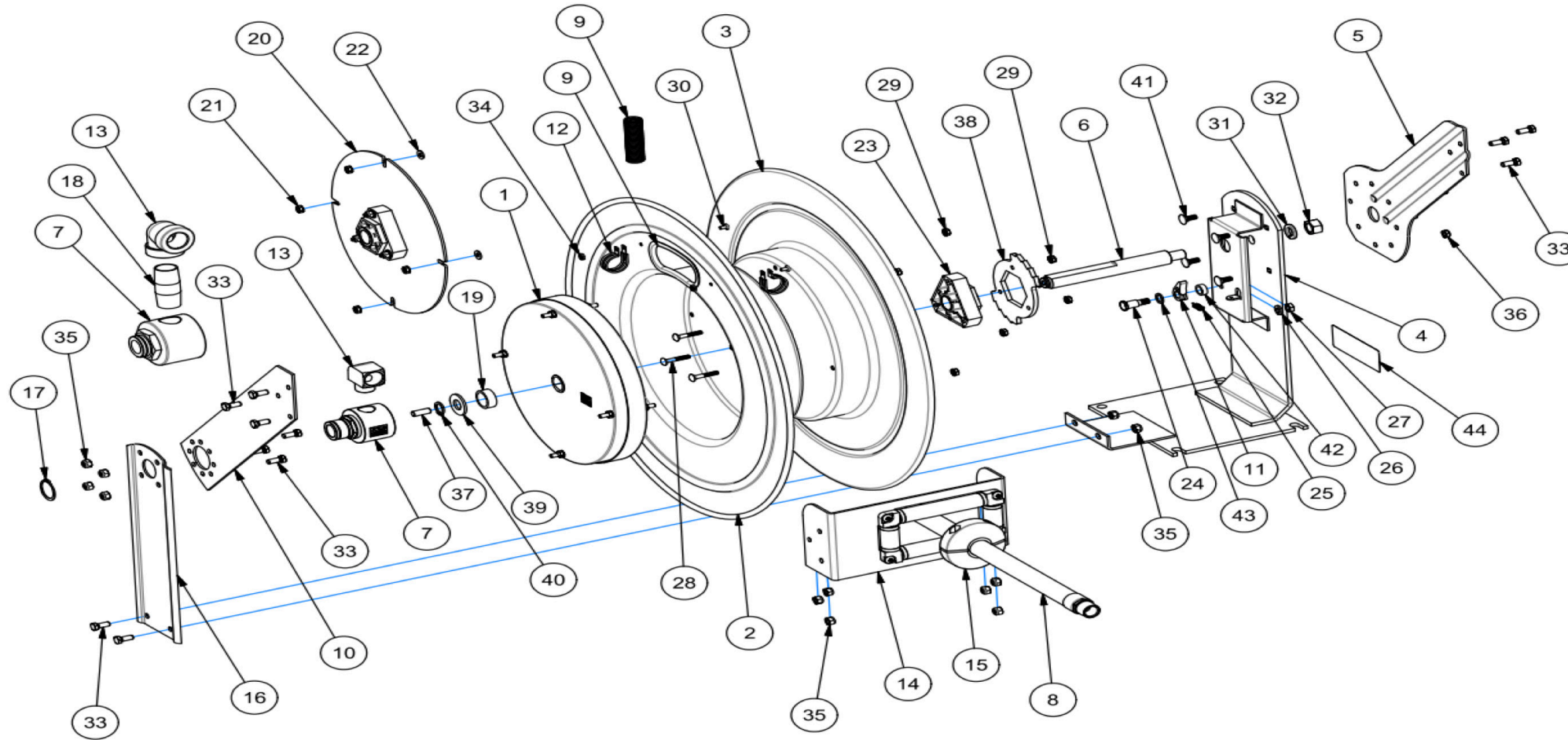


Model	Product	PSI	Hose	Rewind Spring [1]	Drum [2]	Drum [3]	Base [4]	Arm [5]	Axle [6]	Swivel [7]	Hose [8]	Guard [9]	Arm [10]	Clamp [12]	Elbow [13]	Bracket [14]	Ball Stop [15]	Supp. [16]	R. Ring [17]	Spacer [19]
TIM-3106-50P	Air Water	Low	3/8"	[690-2]	TIM-1703-3208 [1703]	[1702]	[1784]	TIM-1732	[1794]	TIM-433 [433]	TIM-4216-50	[237-1]	[1827]	[381]	-	TIM-1829-1 [1829-1]	TIM-131-3 [131-3]	[1740]	[1752]	[7511]
TIM-3106-75P	Air Water	Low	3/8"	[698-1]	[1705]	[1704]	[1786]	[1733]	[1794]	TIM-433 [433]	TIM-4216-75	[237-1]	[1825]	[381]	-	TIM-1829-1 [1829-1]	TIM-131-3 [131-3]	[1741]	[1754]	[7511]
TIM-3106-100P	Air Water	Low	3/8"	[698-2]	[1705]	[1704]	[1786]	[1733]	[1794]	TIM-433 [433]	TIM-4216-100	[237-1]	[1825]	[281]	-	TIM-1829-1 [1829-1]	TIM-131-3 [131-3]	[1741]	[1754]	[7511]
TIM-3108-50P	Air Water	Low	1/2"	[691-3]	TIM-1703-3208 [1703]	[1702]	[1784]	TIM-1732 [1732]	[1794]	TIM-434-75 [434]	TIM-4208-50	TIM-398-1 [398-1]	[1827]	[383]	-	TIM-1829-1 [1829-1]	TIM-131-4 [131-4]	[1740]	[1754]	[7511]
TIM-3108-75P	Air Water	Low	1/2"	[692-2]	[1705]	[1794]	[1786]	[1733]	[1794]	TIM-434-75 [434]	TIM-4208-75	TIM-398-1 [398-1]	[1825]	[383]	-	TIM-1829-1 [1829-1]	TIM-131-4 [131-4]	[1741]	[1754]	-
TIM-3108-100P	Air Water	Low	1/2"	TIM-656-3208 [656]	[1705]	[1704]	[1786]	[1733]	[1794]	TIM-434-75 [434]	TIM-4206-100	TIM-398-1 [398-1]	[1825]	[383]	-	TIM-1829-1 [1829-1]	YIM-131-4 [131-4]	[1741]	[1754]	-
TIM-3208-50P [TIM-3208-LTBR]	Oil Antifreeze	Med	1/2"	TIM-649-3208 [649]	TIM-1703-3208 [1703]	[1702]	[1794]	TIM-1732 [1732]	[1794]	TIM-434-75 [434]	TIM-4418-50S	TIM-398-1 [398-1]	[1827]	[383]	-	TIM-1829-1 [1829-1]	TIM-131-4 [131-4]	[1740]	[1754]	-
TIM-3208-75P [TIM-3208-BR75]	Oil Antifreeze	Med	1/2"	TIM-656-3208 [656]	[1705]	[1704]	[1786]	[1733]	[1794]	TIM-434-75 [434]	TIM-4418-75S	TIM-398-1 [398-1]	[1825]	[383]	-	TIM-1829-1 [1829-1]	TIM-131-4 [131-4]	[1741]	[1754]	-
TIM-3208-100P [TIM-3208BR-100]	Oil Antifreeze	Med	1/2"	TIM-658-3208 [658]	[1705]	[1704]	[1786]	[1733]	[1794]	TIM-434-75 [434]	TIM-4418-100S	TIM-398-1 [398-1]	[1825]	[383]	-	TIM-1829-1 [1829-1]	TIM-131-4 [131-4]	[1741]	[1754]	-
TIM-3306-50P [TIM-3306-LTBR]	Grease	High	3/8"	[696-1]	TIM-1703-3208 [1703]	[1702]	[1784]	TIM-1732 [1732]	[1794]	TIM-521-3308 [521]	TIM-4506-50S	[237-1]	[1827]	[613]	-	TIM-1829-1 [1829-1]	TIM-131-3 [131-3]	[1740]	[1754]	-
TIM-3306-75P [TIM-3306-BR75]	Grease	High	3/8"	TIM-656-3208 [656]	[1705]	[1704]	[1786]	[1733]	[1794]	TIM-521-3306 [521]	TIM-4506-75S	[237-1]	[1825]	[613]	-	TIM-1829-1 [1829-1]	TIM-131-3 [131-3]	[1741]	[1754]	-
TIM-3412-50P	Oil Diesel	Low	3/4"	[692-1]	[1705-1]	[1704]	[1786]	[1733]	-	TIM-426-3412 [426]	TIM-4812-50	-	[1825]	[384]	[385]	[8740]	TIM-430 [430]	[1712]	[516]	-
TIM-3512-50P	Oil Diesel	Med	3/4"	[654]	[1705]	[1704]	[1786]	[1733]	-	TIM-426-3412 [426]	TIM-4412-50	-	[1825]	[384]	[385]	[8740]	TIM-430 [430]	[1712]	[516]	-
TIM-3516-50P	Oil	Med	1"	[8734]	[7238-1]	[7239]	[8726]	[1733]	[8733]	TIM-7231-1 [7231-1]	TIM-4416-50	[7242]	[7232]	[397]	[15348]	[8721]	[20214]	[7233]	[7241]	-

NOTE: "TIM-x" series part numbers can be purchased from American Lubrication Equipment Corporation. Bracketed "[x]" series part numbers can be special ordered.



Common Parts #	Item #	Description
[11, 24, 25, 26, 27, 42, 43]	TIM-725-WBR [725-BR]	Cam Lock Rebuild Kit
[11]	TIM-640-3416 [640-1-SS]	Lock, cam Note: TIM-3412-50P use [640-1-BR]
[23]	TIM-1776-3 [1776-3]	Assy, Hub Brg
[24]	[1620]	Bolt, shoulder
[25]	TIM-274 [274-1-SS]	Spring Dog
[26]	[437]	Washer, Lock
[27]	[184]	Nut, jam, 3/8-16
[28]	[1953]	Carriage bolt
[29]	[125]	Nut, Keps
[30]	[245]	Bolt, 10-32x3/8
[31]	[438]	Washer, lock
[32]	[3584]	Nut, hex, 5/8-11
[33]	[312]	Bolt, 5/16-18 x 3/4
[34]	[130]	Nut, 10-32
[35]	[111]	Nut, lock, 5/16-18 Nylock
[36]	[111-1]	Nut, lock, 5/16-18
[37]	[10235-SS]	Stud: 3/8-16 x 1" SS
[38]	[1924]	Locking ring
[39]	[1755-1]	Washer, spacer
[40]	[1753]	Retaining ring
[41]	[10220-75]	Bolt, Carriage
[42]	[6440-SS]	Washer, spacer SS
[43]	[6441-1]	Washer, spacer
[44]	[10925-5]	Label